



High-frequency Transformer PQ5050 Series

Parameters/Dimensions:

PQ5050 Type 1

Information:

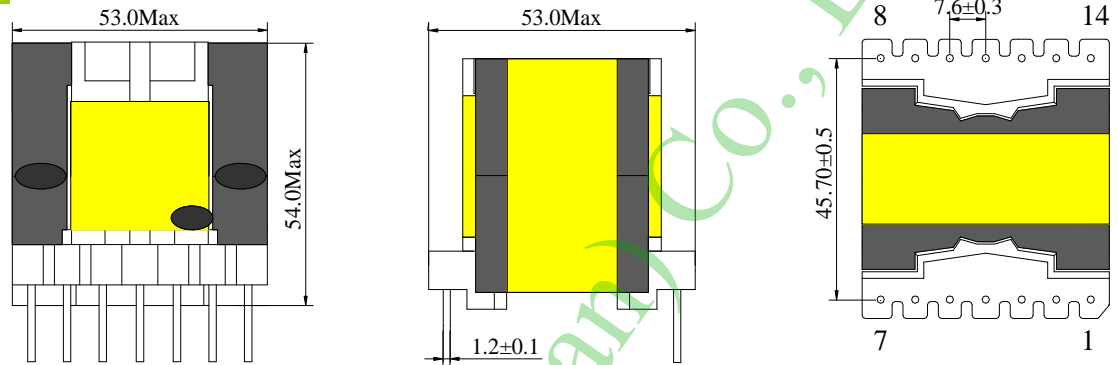
Shape: PQ5050

1 Power: 600W

2 Mounting Orientation: Vertical

3 Size: 53(W) * 53(L) * 54(H)

4 Effective Ae (mm²): 328.0



PQ5050 Type 2

Information:

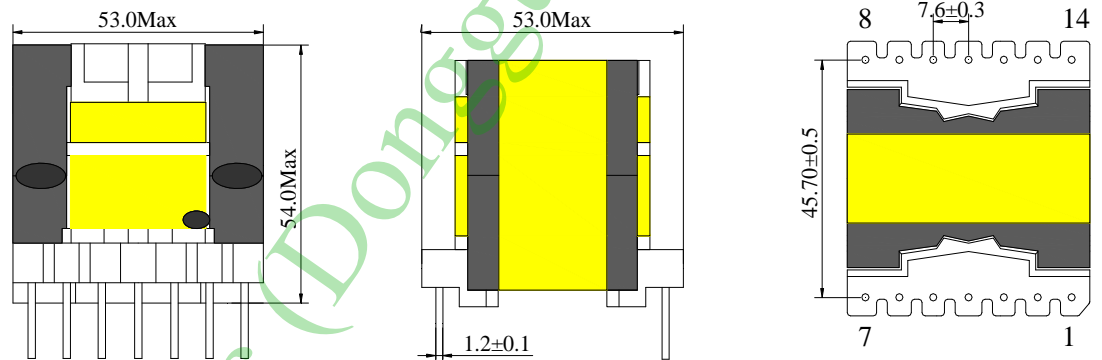
Shape: PQ5050

1 Power: 600W

2 Mounting Orientation: Vertical

3 Size: 53(W) * 53(L) * 54(H)

4 Effective Ae (mm²): 328.0



Note:

Bobbin type listed in the traditional style, transformer design parameters to customer needs or to inject prevail.

PQ series high-frequency transformer features:

Low loss, low temperature, anti-jamming performance, reasonable shape, large power range (40W-600W), can effectively reduce installation size, with multiple pins to facilitate wound wiring. Low assembly cost, easy to meet safety requirements, but standardization than the southern.

Uses:

Main power transformers, drive transformers, smoothing chokes, auxiliary power transformer. Mainly used in networking, communications, power, electrical equipment, medical and other fields.